

DISPOSABLE STANDARD ISOLATION GOWN, SMS

- ✓ Liquid repellent
- ✓ Ergonomic fit
- ✓ Soft and comfortable
- ✓ Easy and simple to put on
- ✓ Breathable



Product description

Liquid-repellent gown with elastic in the sleeves and ties at the neck and waist.
 The gown is breathable with an ergonomic fit, and therefore very comfortable to wear.
 Isolation gowns are used to prevent body exposure and contamination in medical settings, clean areas, and industrial environments.

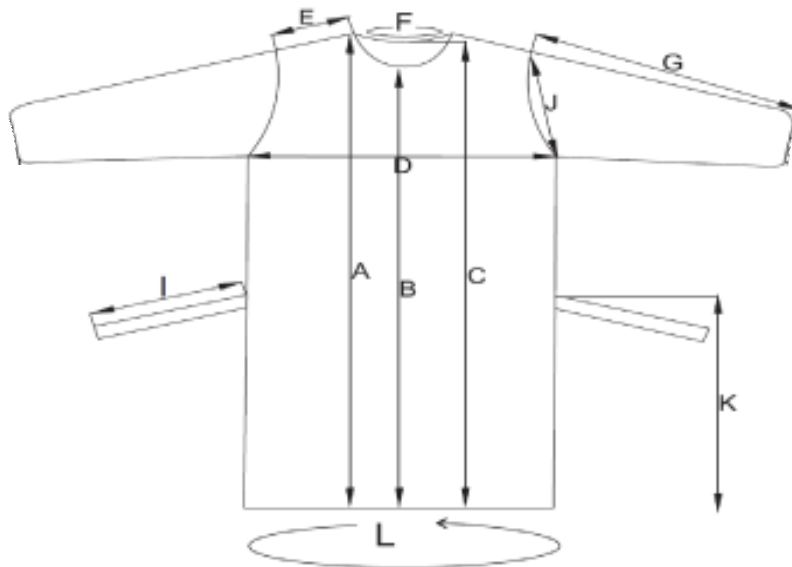
Specifications

Product name	Standard Isolation gown
Trademark	EMS MEDICAL
Sizes	Small, Medium, Large, X-Large, XX-Large, XXX-Large
Color	Blue, Orange, Green, Yellow, Red
Features	Liquid repellent With tie at the Neck With tie at the waist Elastic in the sleeves
Quality	Antistatic Allergy friendly, Lint-free Puncture resistant
Material	SMS Non-woven - 35gr.
Certificates and test standards	CE, MD
Classification	Classe I
Directives	MDR (EU) 2017/745
Sterilization method	Non Sterile
Durability	5 years from date of production
Storage	Store dry, at room temperature and out of direct sunligh.
Disposal of product	Can be disposed of with normal household waste. In case contamination is suspected, discard as clinical waste.
Disposal of packaging	Can be recycled or incinerated.
The content of the package	5 pcs. standard isolation gowns
Environment	- Transport carton 70% recycle - FSC approved packaging - Sustainability (ESG) - LDPE 80% recycle plastic



Packaging

Piece Pcs)/ Bag	Bag/ Carton (ctn)	Ctn/ Palle	Sizes	REF Nr.
5 pcs.	20 bag.	16 ctn	Medium	10-041-02
5 pcs.	20 bag.	16 ctn	Large	10-041-03
5 pcs.	20 bag.	16 ctn	X-Large	10-041-04
5 pcs.	20 bag.	16 ctn	XX-Large	10-041-05



	S	M	L	XL	XXL	XXXL	TOL
A	120	124	128	133	140	150	± 2
B	112	116	120	125	132	142	± 2
C	117	121	125	130	137	147	± 2
D	65	67	69	72	74	76	± 2
E	17	18	19	20	21	22	± 2
F	60	62	64	66	68	70	± 2
G	57	58	59	60	63	65	± 2
H	10/7	10/7	10/7	10/7	10/7	10/7	± 2
I	60	62	64	66	68	70	± 2
K	70	74	78	82	86	90	± 2
L	145	147	149	152	160	170	± 2

ENGANGS STANDARD ISOLATIONSKITTEL, SMS

- ✓ Væskeafvisende
- ✓ Ergonomisk pasform
- ✓ Blød og komfortabel
- ✓ Nem og enkle at tage på
- ✓ Åndbar



Produktbeskrivelse

Væskeafvisende kittel med elastik i ærmerne og bindebånd i nakken og liv.
 Kitlen er ånbar med ergonomisk pasform, og derfor meget komfortabel at bære.
 Isolationskitler bruges til at forhindre kropsudsættelse og kontaminering i medicinske miljøer, rene områder og industrielle omgivelser.

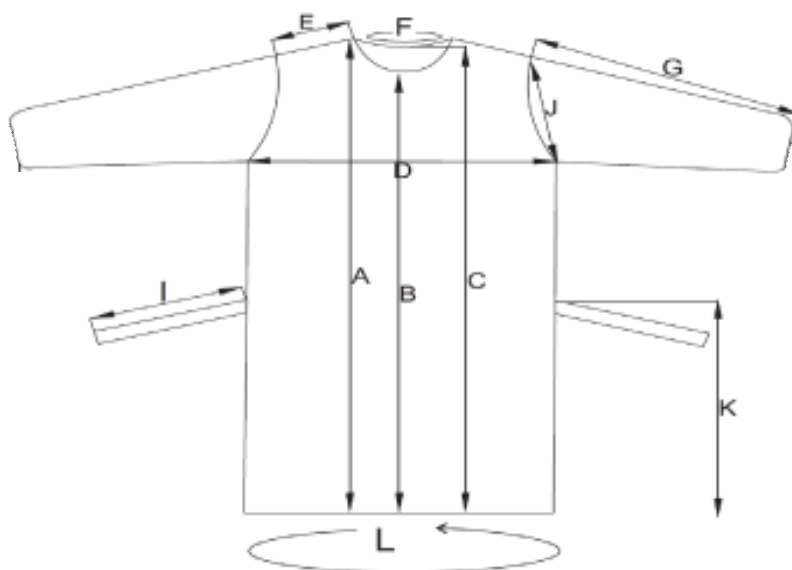
Specifikationer

Produktbetegnelse	Standard beskyttelseskittel
Varemærk	EMS MEDICAL
Størrelser	Small, Medium, Large, X-Large, XX-Large, XXX-Large
Farver	Blå, Orange, Grøn, Gul, Rød
Funktioner	Væskeafvisende Bindebånd i nakken Bindebånd i liv Elastik i ærmerne
Kvalitet	Antistatiske Allergi venlig, Fnugfri Punktere modstandsdygtig
Material	SMS Non-woven - 35gr.
Certifikater	CE, MD
Klassifikation	Klasse I
Direktiver	MDR (EU) 2017/745
Steriliseringsmetode	Usteril
Holdbarhed	5 år fra produktionsdato
Opbevaring	Opbevares tørt, ved stuetemperatur og ikke i direkte sollys
Bortskaffelse af produkt	Kan bortskaffes med almindeligt husholdningsaffald. Ved mistanke om kontaminering skal produktet kasseres som klinisk affald.
Bortskaffelse af emballage	Kan genbruges eller forbrændes.
Pakkens indhold	5 stk. standard beskyttelseskittel
Miljø	- Kollie kasser og bølgepap består af minimum 70% genbrugspapir - FSC godkendt emballage - Bæredygtig (ESG) - LDPE 80% genanvendt plast



Forpakning

Stk/ Pose (ps)	Ps/ Kolli (kll)	Kll/ Palle	Størrelse	REF Nr.
5 stk.	20 Ps.	16 kll	Medium	10-041-02
5 stk.	20 Ps.	16 kll	Large	10-041-03
5 stk.	20 Ps.	16 kll	X-Large	10-041-04
5 stk.	20 Ps.	16 kll	XX-Large	10-041-05



	S	M	L	XL	XXL	XXXL	TOL
A	120	124	128	133	140	150	± 2
B	112	116	120	125	132	142	± 2
C	117	121	125	130	137	147	± 2
D	65	67	69	72	74	76	± 2
E	17	18	19	20	21	22	± 2
F	60	62	64	66	68	70	± 2
G	57	58	59	60	63	65	± 2
H	10/7	10/7	10/7	10/7	10/7	10/7	± 2
I	60	62	64	66	68	70	± 2
K	70	74	78	82	86	90	± 2
L	145	147	149	152	160	170	± 2