

DISPOSABLE REINFORCED SURGICAL GOWN, SMS

- ✓ With extended reinforcement area
- ✓ Color indication for correct selection
- ✓ Soft and comfortable
- ✓ Easy and simple to put on
- ✓ Ergonomic fit
- ✓ Maximum breathable
- ✓ 2pcs. towels

STERILE EO



Product description

Reinforced surgical gown made of SMS Non-woven + PE.

The gown is breathable and has an ergonomic fit, and therefore very comfortable to wear.

Product Label is designed with color indication to minimize mistakes/waste on sizes and types during the daily stress.

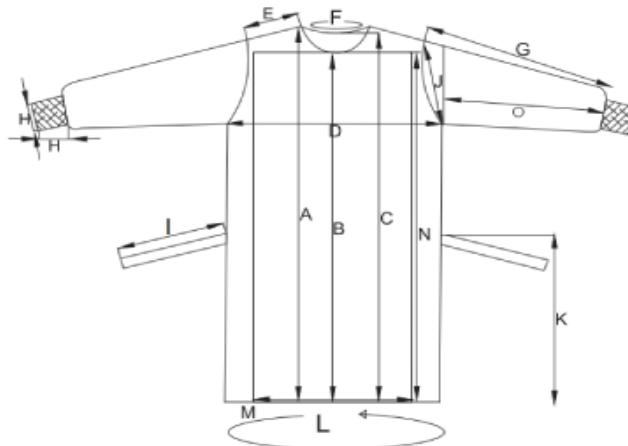
Specifications

Product name	Disposable reinforced surgical gown
Trademark	EMS MEDICAL
Sizes	Small, Medium, Large, X-Large, XX-Large, XXX-Large
Color	Blue
Features	Liquid resistant at front and full sleeves Belt with indication label Tie closure on back With Velcro at the neck
Material	Biflex (43gr. SMS + 25gr. PE film)
Certificates and test standards	EN13795-1:2019; ASTM F1671 / F1671M, EN 868-5 CE; EN ISO 9001:2015
Quality	Extended reinforcement area Antistatic Allergy friendly, Lint-free Liquid repellent Puncture resistant
Classification	Class Is
Directives	MDR 2017/745
Sterilization method	EO Sterile
Durability	5 years from date of production
Storage	Store dry, at room temperature and out of direct sunligh
Disposal of product	Can be disposed of with normal household waste. In case contamination is suspected, discard as clinical waste.
Disposal of packaging	Can be recycled or incinerated.
Packaging	PE/PAPER, Flat Sterile pack, Easy to open, Compact size for easy storage
The content of the package	1 piece reinforced surgical gown + 2 pcs. towels 40*40
Reinforcement	See the illustration on page 2
Environment	- Transport carton 70% recycle - FSC approved packaging - Sustainability (ESG) - LDPE 80% recycle plastic



Packaging

Package (pkg)	Pkg/ Box	Box/ Carton (Ctn)	Ctn/ Palle	Sizes	REF No.
1 pcs.	60 Pkg	1 Box	16 Ctn	Medium	16-042-02
1 pcs.	60 Pkg	1 Box	16 Ctn	Large	16-042-03
1 pcs.	60 Pkg	1 Box	16 Ctn	X-Large	16-042-04
1 pcs.	60 Pkg	1 Box	16 Ctn	XX-Large	16-042-05



	S	M	L	XL	XXL	XXXL	TOL
A	120	124	128	133	140	150	± 2
B	112	116	120	125	132	142	± 2
C	117	121	125	130	137	147	± 2
D	65	67	69	72	74	76	± 2
E	17	18	19	20	21	22	± 2
F	60	62	64	66	68	70	± 2
G	57	58	59	60	63	65	± 2
H	10/7	10/7	10/7	10/7	10/7	10/7	± 2
I	60	62	64	66	68	70	± 2
K	70	74	78	82	86	90	± 2
L	145	147	149	152	160	170	± 2
M	50	50	50	50	50	50	± 2
N	120	124	128	133	140	150	± 2
O	57	58	59	60	63	65	± 2

ENGANGS FORSTÆRKET OPERATIONSKITTEL, SMS

- ✓ Med ekstra udvidet forstærkningsareal
- ✓ Label med farve indikation
- ✓ Blød og komfortabel
- ✓ Nem og enkle at tage på
- ✓ Ergonomisk pasform
- ✓ Åndbar
- ✓ 2 håndklæder

STERILE EO



Produktbeskrivelse

Forstærket operationskittel fremstillet af SMS nonwoven + PE

Kitlen er åndbar og har en ergonomisk pasform, og derfor meget komfortabel at bære.

Produkt Label er designet med farve indikation for at minimere fejl/ spild på størrelser og typer under travlhed.

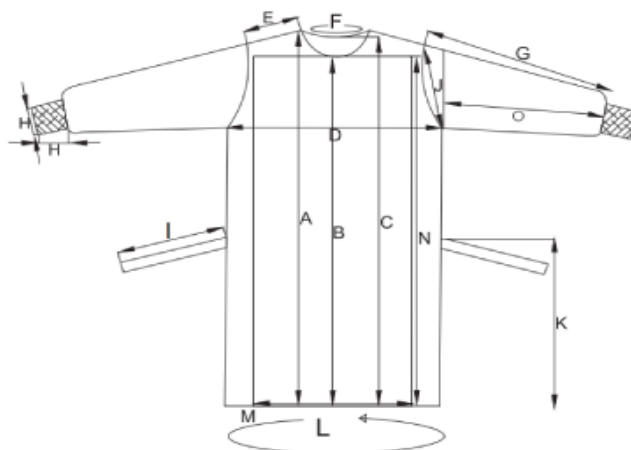
Specifikationer

Produktbetegnelse	Engangs forstærket operationskittel
Varemærk	EMS MEDICAL
Størrelser	Small, Medium, Large, X-Large, XX-Large, XXX-Large
Farve	Blå
Funktioner	Bælte med indikationslabel Bindebånd lukning på ryg Med Burrebånd i nakken
Material	Ånbar Biflex, (43gr. SMS + 25gr. PE film)
Certifikater og teststandarder	EN13795-1:2019; ASTM F1671 / F1671M, EN 868-5 CE; EN ISO 9001:2015
Kvalitet	Ekstra udvidet forstærkningsareal Antistatiske Allergi venlig, Fnugfri Væskeafvisende Punktere modstandsdygtig
Klassifikation	Klasse Is
Direktiver	MDR 2017/745
Steriliseringsmetode	EO Steril
Holdbarhed	5 år fra produktionsdato
Opbevaring	Opbevares tørt, ved stuetemperatur og ikke i direkte sollys
Bortskaffelse af produkt	Kan bortskaffes med almindeligt husholdningsaffald. Ved mistanke om kontaminering skal produktet kasseres som klinisk affald.
Bortskaffelse af emballage	Kan genbruges eller forbrændes.
Pakning	PE/PAPIRE, Flad Steril pak, Nemt at åbne, Kompakt størrelse til nem opbevaring
Pakkens indhold	1 stk. forstærket OP-Kittel + 2 stk. håndklæder 40*40
Forstærkning	Se illustrationen på side 2
Miljø	- Kolti kasser og bølgepap består af minimum 70% genbrugspapir - FSC godkendt emballage - Bæredygtig (ESG) - LDPE 80% genanvendt plast



Forpakning

Stk/ Pakke (pk)	Pk/ Kasse (ks.)	Ks/ Kolti (kll)	Kll/ Palle	Størrelse	REF Nr.
1 stk.	60 Pk	1 Ks.	16 kll	Medium	16-042-02
1 stk.	60 Pk	1 Ks.	16 kll	Large	16-042-03
1 stk.	60 Pk	1 Ks.	16 kll	X-Large	16-042-04
1 stk.	60 Pk	1 Ks.	16 kll	XX-Large	16-042-05



	S	M	L	XL	XXL	XXXL	TOL
A	120	124	128	133	140	150	± 2
B	112	116	120	125	132	142	± 2
C	117	121	125	130	137	147	± 2
D	65	67	69	72	74	76	± 2
E	17	18	19	20	21	22	± 2
F	60	62	64	66	68	70	± 2
G	57	58	59	60	63	65	± 2
H	10/7	10/7	10/7	10/7	10/7	10/7	± 2
I	60	62	64	66	68	70	± 2
K	70	74	78	82	86	90	± 2
L	145	147	149	152	160	170	± 2
M	50	50	50	50	50	50	± 2
N	120	124	128	133	140	150	± 2
O	57	58	59	60	63	65	± 2