

DISPOSABLE ISOLATION GOWN LIQUID RESISTANT

- ✓ Liquid resistant
- ✓ Ergonomic fit
- ✓ Soft and comfortable
- ✓ Easy and simple to put on
- ✓ Breathable on back
- ✓ With Knitted Cuff



Product description

Protective gown against infective agents. With knitted cuff at the sleeves, ties at the neck and waist.
The gown is breathable on back with an ergonomic fit, and therefore very comfortable to wear.
Prevent contamination in medical, dental and clean environments or for industrial protective use.

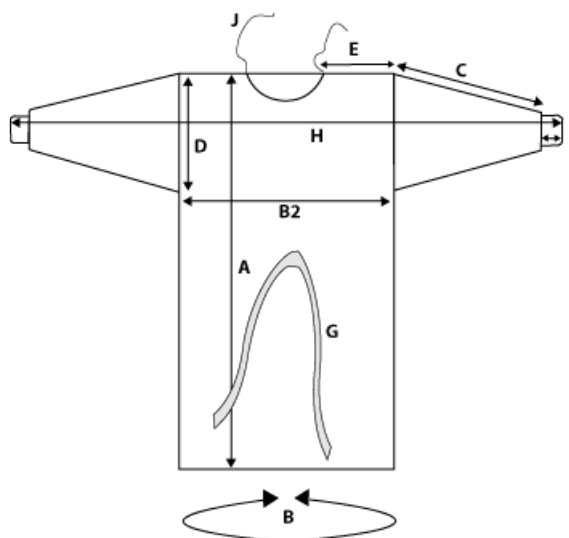
Specifications

Product Code	CN 308
Product name	Reinforced Isolation gown with knitted cuff
Trademark	EMS MEDICAL
Sizes	Large, X-Large, XX-Large
Color	Blue, Yellow
Features	Liquid resistant With tie at the Neck With tie at the waist With knitted cuff at the sleeves
Quality	Breathable on back Allergy friendly material Antistatic Lint-free Puncture resistant
Safety regulations and warnings	- Not sterile - Material for production is selected with care for Cytotoxicity and Asthma & Allergy friendly and is intended to minimize the risk of allergy and hypersensitivity, but a guarantee cannot be given for everyone.
Material	25gsm Polypropylene (PP) + 17gsm polyethylene film (PE) = 42 g/m2 +/- 2
Certificates and test standards	CE, MDR, EN 14126:2003 - table 1/6, table 2/6. table 3/3 and table 4/3
Classification / Category	Classe I, Category III
Directives	MDR (EU) 2017/745
Sterilization method	Non Sterile
Durability	5 years from date of production
Storage	Store in a ventilated, dry and clean room and out of direct sunligh.
Disposal of product	Can be disposed of with normal household waste. In case contamination is suspected, discard as clinical waste.
Disposal of packaging	Can be recycled or incinerated.
The content of the package	10pcs/ bag
Environment	- Transport carton 70% recycle - FSC approved packaging - ISO 14001 - Inner bag PE (LDPE)



Packaging

Piece (Pcs)/ Bag	Bag/ Carton (ctn)	Ctn/ Palle	Sizes	REF Nr.	Ctn measure-cm / kg
10 pcs.	10 bag.	16 ctn	Large	13-041-03	63 x 25,5 x 37 / 10 kg
10 pcs.	10 bag.	16 ctn	X-Large	13-041-04	63 x 27 x 38 / 10 kg
10 pcs.	10 bag.	16 ctn	XX-Large	13-041-05	63 x 27 x 39 / 10 kg



Dimensions	Size L	Size XL	Size XXL
A: length	127 ±2cm	137 ±2cm	137 ±2cm
B: Width circumference at bottom	130 ±2cm	140 ±2cm	152 ±2cm
B2: Chest width	65 ±2cm	70 ±2cm	77 ±2cm
C: Length of sleeves	55 ±2cm	57 ±2cm	58 ±2cm
D: Depth of sleeves	27 ±2cm	27 ±2cm	27 ±2cm
E: Width of shoulder	18 ±1cm	21 ±1cm	23 ±1cm
F: Length of cuff	5 ≥	5 ≥	5 ≥
G: Length of tie on waist	185 ±5cm	204 ±5cm	205 ±5cm
H: Length (cuff to cuff)	178 ±2cm	192 ±2cm	197 ±2cm
J: Ties length of neck/side	35 ±2cm	38 ±2cm	40 ±2cm