

DISPOSABLE REINFORCED ISOLATION GOWN, SMS

- ✓ Liquid resistant
- ✓ Ergonomic fit
- ✓ Soft and comfortable
- ✓ Easy and simple to put on
- ✓ Breathable



Product description

Liquid-resistant gown with elastic in the sleeves and ties at the neck and waist.
 The gown is breathable with an ergonomic fit, and therefore very comfortable to wear.
 Product Label is designed with color indication to minimize mistakes/waste on sizes and types during the daily stress.

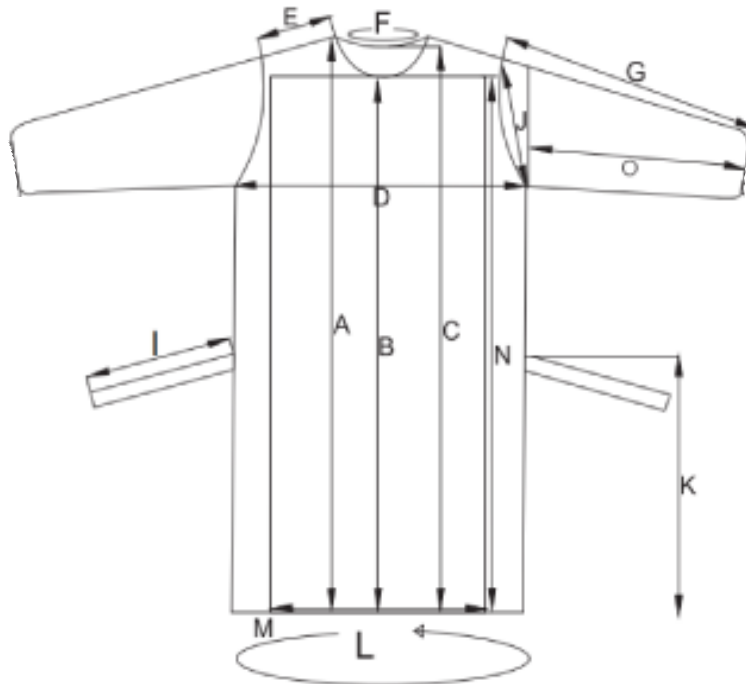
Specifications

Product name	Reinforced Isolation gown
Trademark	EMS MEDICAL
Sizes	Small, Medium, Large, X-Large, XX-Large, XXX-Large
Color	Blue, Orange, Green, Yellow, Red
Features	Liquid resistant With tie at the Neck With tie at the waist Elastic in the sleeves
Quality	Antistatic Allergy friendly, Lint-free Puncture resistant
Material	Biflex breathable Non-woven, 25gr SMS + 10gr. PE
Certificates and test standards	CE, MD
Classification	Classe I
Directives	MDR (EU) 2017/745
Sterilization method	Non Sterile
Durability	5 years from date of production
Storage	Store dry, at room temperature and out of direct sunligh.
Disposal of product	Can be disposed of with normal household waste. In case contamination is suspected, discard as clinical waste.
Disposal of packaging	Can be recycled or incinerated.
The content of the package	5 pcs. standard isolation gowns
Environment	- Transport carton 70% recycle - FSC approved packaging - Sustainability (ESG) - LDPE 80% recycle plastic



Packaging

Piece Pcs)/ Bag	Bag/ Carton (ctn)	Ctn/ Palle	Sizes	REF Nr.
5 pcs.	20 bag.	16 ctn	Medium	12-041-02
5 pcs.	20 bag.	16 ctn	Large	12-041-03
5 pcs.	20 bag.	16 ctn	X-Large	12-041-04
5 pcs.	20 bag.	16 ctn	XX-Large	12-041-05



	S	M	L	XL	XXL	XXXL	TOL
A	120	124	128	133	140	150	± 2
B	112	116	120	125	132	142	± 2
C	117	121	125	130	137	147	± 2
D	65	67	69	72	74	76	± 2
E	17	18	19	20	21	22	± 2
F	60	62	64	66	68	70	± 2
G	57	58	59	60	63	65	± 2
H	10/7	10/7	10/7	10/7	10/7	10/7	± 2
I	60	62	64	66	68	70	± 2
K	70	74	78	82	86	90	± 2
L	145	147	149	152	160	170	± 2
M	50	50	50	50	50	50	± 2
N	120	124	128	133	140	150	± 2
O	57	58	59	60	63	65	± 2